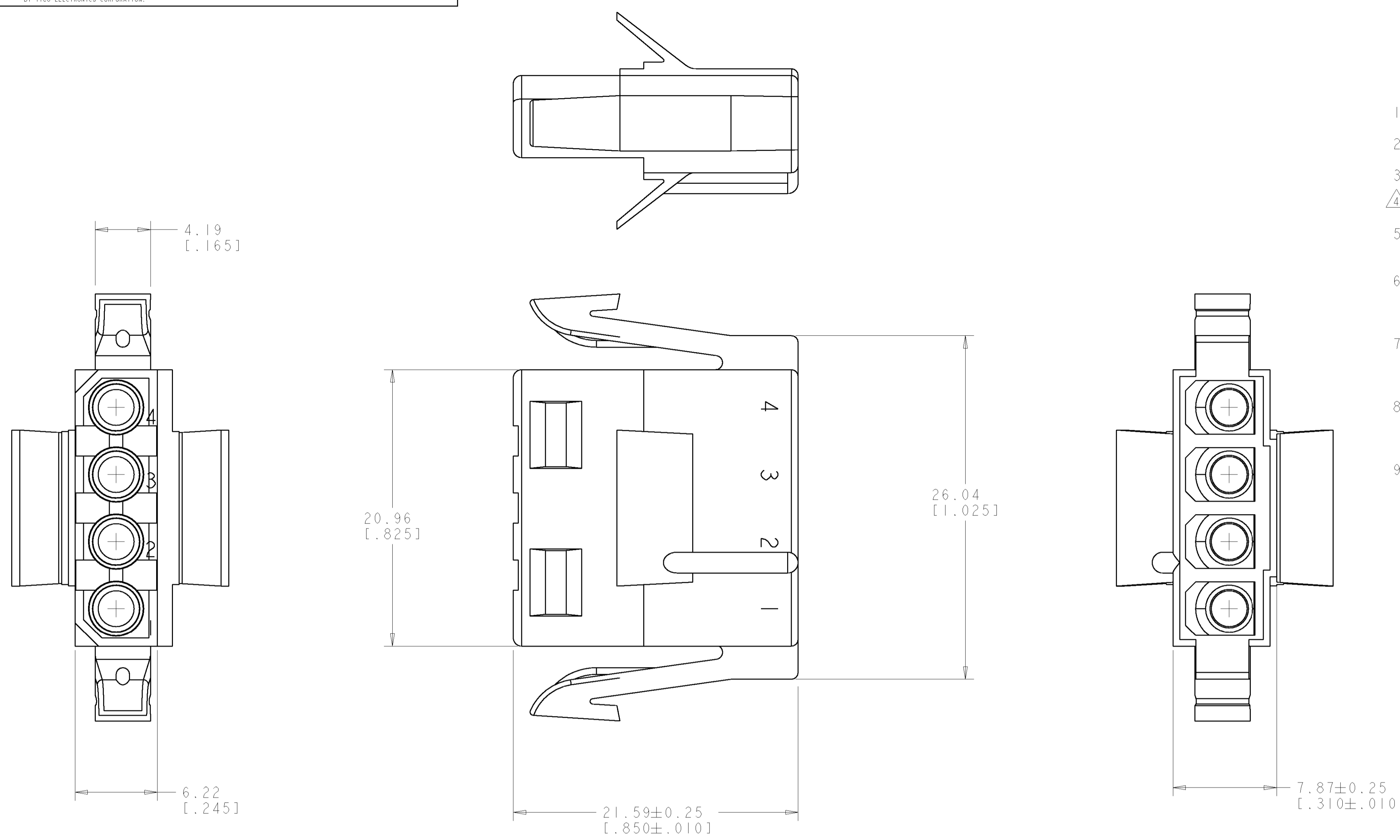
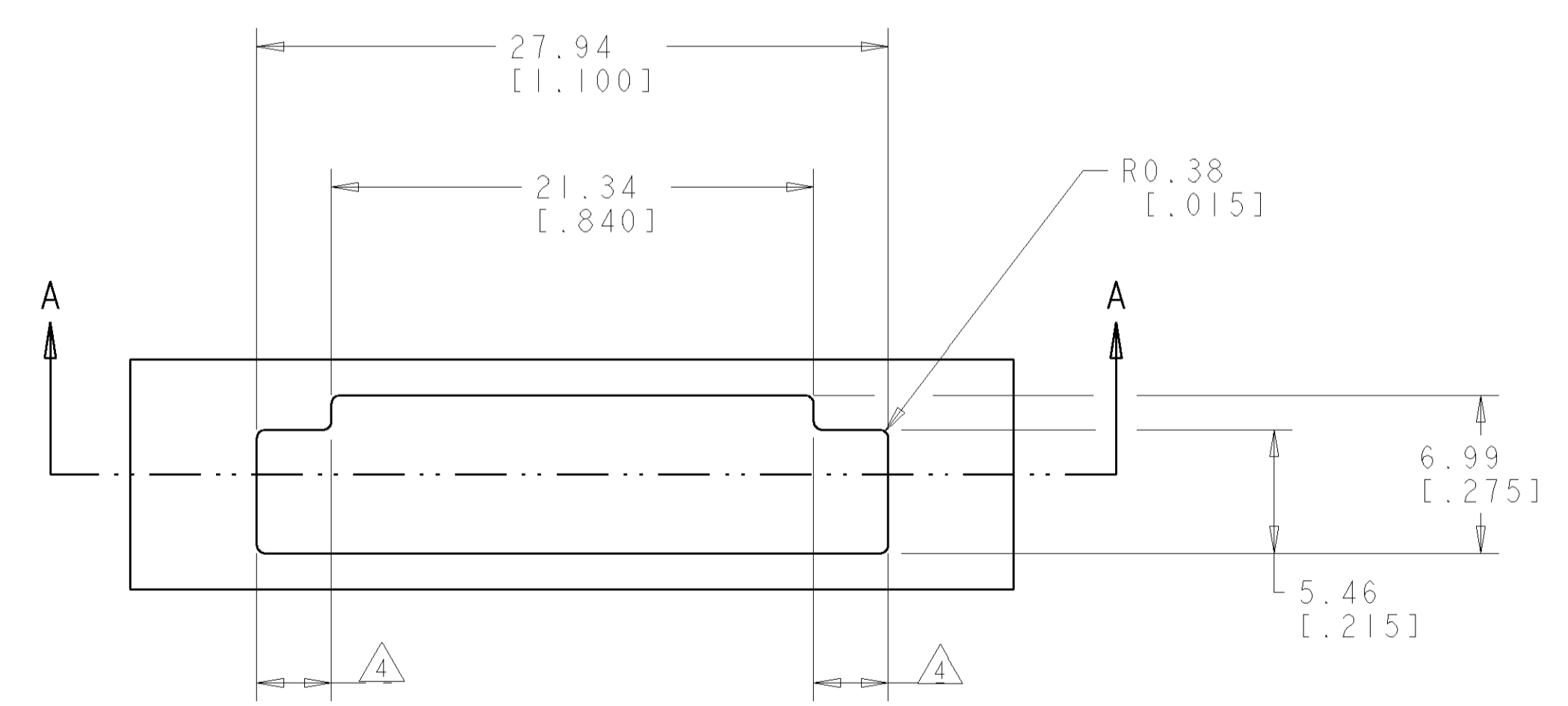


LOC	DIST	REVISIONS					
		P	LTR	DESCRIPTION	DATE	DWN	APPR
CM	00	R		REVISED PER 0638-0171-01	05-OCT-01	RW	DC



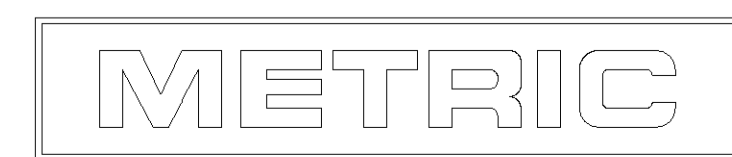
1. THIS PLUG TO BE USED WITH CAP 480426.
2. TO BE USED WITH MATE-N-LOK SOCKETS.
3. RECOMMENDED PANEL THICKNESS 0.64 - 1.65 [.025 - .065].
4. DIMENSIONS TO BE EQUAL WITHIN 0.13 [.005].
5. THE PANEL MUST BE PUNCHED SO THAT THE HOUSING ENTERS THE PANEL IN THE SAME DIRECTION AS THE PUNCH.
6. BOTH LOCKING LEGS ARE TO BE SQUEEZED TOGETHER AND HOUSING INSERTED "STRAIGHT IN" AS OPPOSED TO A ROCKING MANNER OF INSERTION.
7. PANEL MUST NOT HAVE ANY MATERIAL (PAINT, PORCELAIN, ETC.) APPLIED IN THE MOUNTING HOLE AREA THAT WOULD DECREASE RETENTION OF THE HOUSING IN THE PANEL.
8. IF NOTES 5 AND 7 ARE NOT COMPLIED WITH THE 27.94 [1.100] DIMENSION SHOULD BE REDUCED TO 27.43 [1.080] TO ASSURE PROPER RETENTION IN THE PANEL.
9. DIMENSIONS IN BRACKETS ARE IN INCHES.



DIRECTION OF HOUSING AND PUNCH ENTRY

SECTION A-A

RECOMMENDED MOUNTING INFORMATION
 SCALE 4:1



NATURAL	HI-TEMP NYLON	3-480425-0
NATURAL	NYLON	1-480425-0
COLOR	MATERIAL	PART NUMBER

<small>THIS DRAWING IS UNPUBLISHED. RELEASED FOR PUBLICATION BY TYCO ELECTRONICS CORPORATION. ALL RIGHTS RESERVED.</small>		DWN: R. WHITAKER ENR: D. COLEY APVD: D. COLEY	05-OCT-2001 05-OCT-2001 05-OCT-2001	Tyco Electronics Harrisburg, PA 17105-3608
DIMENSIONS: mm [INCHES]	TOLERANCES UNLESS OTHERWISE SPECIFIED:	PRODUCT SPEC APPLICATION SPEC	NAME PLUG, 4 CIRCUIT, PANEL MOUNT, MATE-N-LOK™	SIZE: A1 CAGE CODE: 00779 DRAWING NO: C-480425
MATERIAL: SEE TABLE	FINISH: -	WEIGHT: -	CUSTOMER DRAWING	RESTRICTED TO: SCALE: 5:1 SHEET: 1 OF 1 REV: R